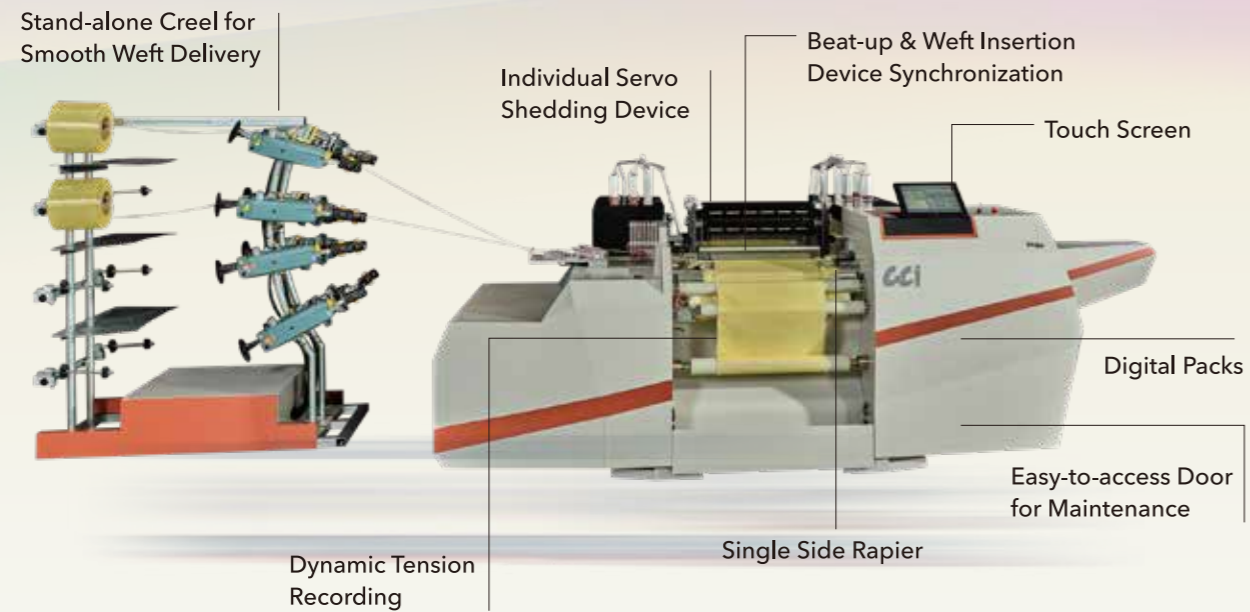


Kebalan

Servo Loom



Technical Information

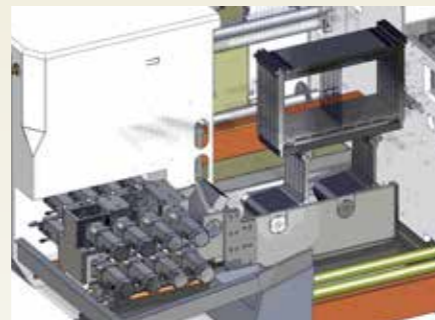
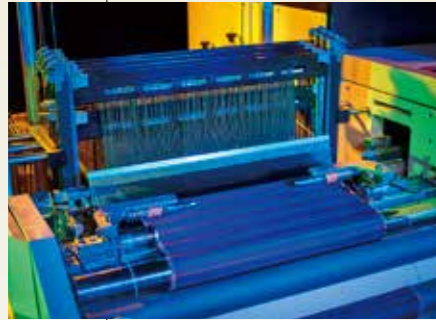
Model	Kebalan
Weaving Width	500 mm
Speed	300 ppm maximum
Controller	Industrial PC / Windows OS Solid-State Drive (SSD) / Internet access via WiFi/Ethernet
Weft Selector	8 colours weft selection device
Weft Creel	Stand-alone weft creel equipped with accumulators
Fabric Take-up	Electronically controlled Weft density can be changed freely within the same weave
Warp Let-off	Positive electronically controlled Digital display of warp tension Optional second beam assembly available
Shedding	Computerized controller 8/16 heald frames driven by individual servo-motor
Drawing-in	Heald frames can be separated from the loom for healds and reeds drawing-in
Weft Insertion	Single rapier weft insertion driven by servo-motor Speed could be controlled independently through the computer
Beat-up	Computer controlled driven independently by servo-motor Positions and quantity of beat up could be adjusted
Weft Breaks	Equipped with weft-break detecting device Loom stops when weft breaks
Warp Breaks	Optional warp stop device is available
Designing	Built-in SEdit editing software
Air Consumption	200L/min., air pressure 5-7 kgf/cm ²
Power	220 V, 3-phase, 50-60 Hz

Kebalan is the first intelligent automatic Servo Loom - including numerous advanced features such as Individual Servo Motor Shedding Device, Dynamic Warp & Weft Tension Capability, Digital Packs which owns powerful parameters archives system, Convenient Maintenance Door, and more features. The newly developed loom can set and control all weaving motions respectively via individual servo motor while provides great ability of recording and analysis. It brings significant increase in operating accuracy, efficiency, and ultimately delivers great fabric quality. Additionally, the new machine is capable of simulating the operation conditions of production loom to create a sample cloth of exactly the same quality as the production line.

Kebalan is specially designed to serve the needs of diverse weaving & textiles applications, particularly suitable for the development of special or other functional fabrics. It is a perfectly ideal solution for new product development, research and even small quantity production purposes, and thus substantially improve overall operational efficiency and save research cost.



FEATURES



Individual Servo Shedding Device

The shedding device utilizes Servo Motors driven by computer to accurately set speed, timing and position for each motion and their correlation, considerably increasing the possibility of making all kinds of fabrics. Each heald frame is driven by an individual servo motor that allows various settings for shedding motion. In particular, the driver installed on the servo motor can send feedback during the working of the loom, so that the position, time and speed of the heald frame can be precisely monitored and controlled.



Digital Packs

The machine is equipped with CCI's unique Digital Packs which can keep track of every parameter that was set up. These parameters will be built into the library as a reference for setting on production loom. It is very useful for user to recall parameters archives from libraries without having to reset those parameters, achieving seamless development or re-production of woven products.

Dynamic Warp & Weft Tension Capability



In the weaving process, the tension of the warp and weft yarns is constantly changing. Kebalan has ability to make complete record & control of warp and weft yarn tension during running, not only the static tension record but also the dynamic tension control; so user is allowed to analyze the tension that affects the weave or causes of yarn breaks. This is also one of the functions of the Digital Packs.

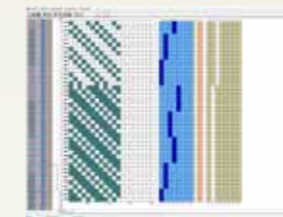
Beat-up & Weft Insertion Device Synchronization

Both motions can be set respectively, or synchronized to simulate the electro-mechanical shedding on production loom to create a sample cloth of exactly the same quality as the production line.



Access Door for Easy Maintenance

For efficient maintenance and repair works, the machine incorporates an easy-to-access door for conducting maintenance, further cutting down on time wasting and associated costs.



Dobbytronic

The user friendly interface of the Dobbytronic is specially designed for use with the touch screen and provides an easy platform for inputting weaving parameters. The status of the loom is clearly displayed through icons and text.

SEdit

The built-in SEdit is a convenient editing software. The editing of designs, weft & warp arrangements can be done on loom or on any separate PC.

Dr. SL

Dr. SL is a useful built-in diagnostic software. It carries out inspection and testing of movements of the electrical & pneumatic parts as well as signals of the sensors. Diagnosis could be performed on loom or by remote access through the internet.

