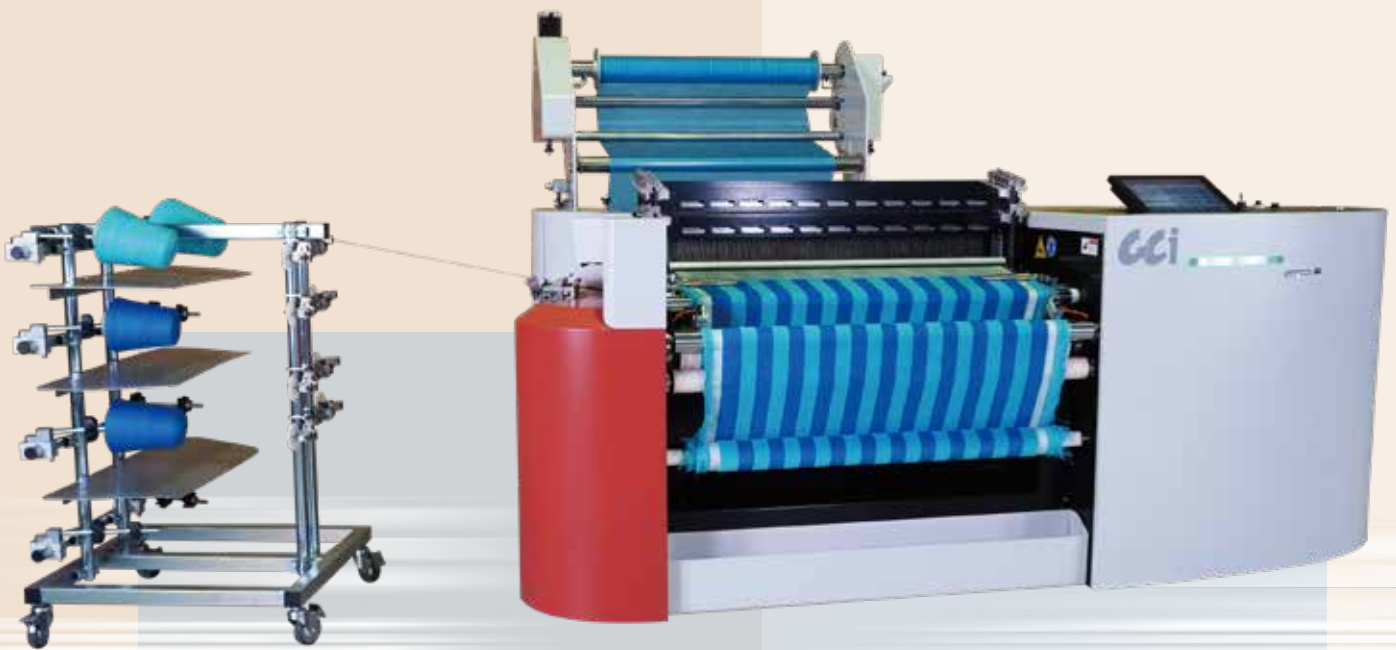


Terry Sampling

evergreen II for Terry

Terry sampling loom

The production of terrycloth fabrics is only possible on specially equipped weaving machines. And the length of loop determines quality and function of a terrycloth fabric. Combined with computer-controlled technology, CCI's terry sampling loom, Evergreen II for Terry, allows user to set variable loop heights via user-friendly touch screen interface easily. The loop thread formation is performed effectively by reed motion control mechanism which is more simple and accurate than by warp beam let-off on conventional weaving machine. These qualities ensure that CCI's solution expands user's capabilities and reduces hassle involved in weaving dobby terry sample with an easiest way possible. The sampling loom can also be used for normal weaving.



Loop Formation by Beat-up Motion Control

Computerized Loop Height Setting

Options for 500 & 900 mm Width

Pile Warp & Ground Warp Beam

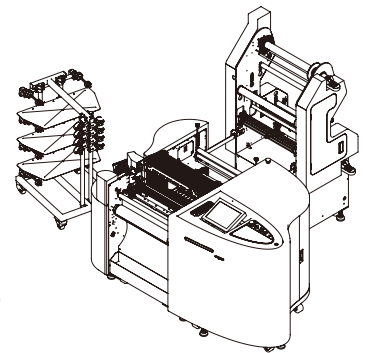
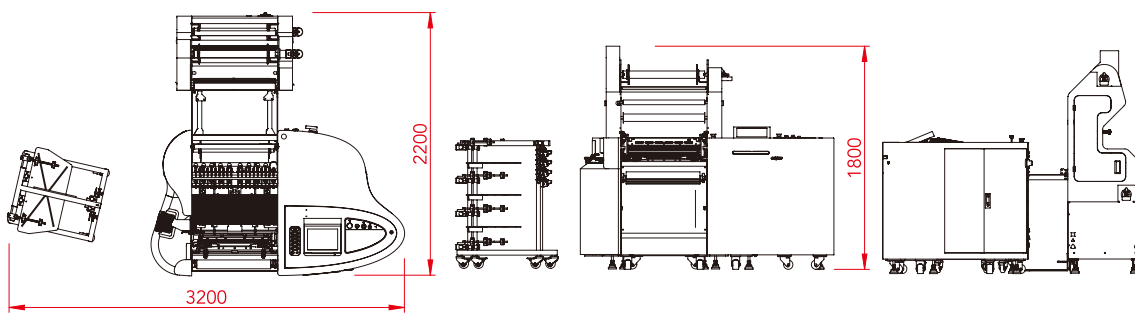
Touch Screen and Windows Embedded Controller

Single Side Rapier

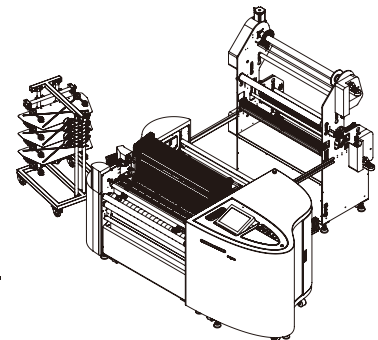
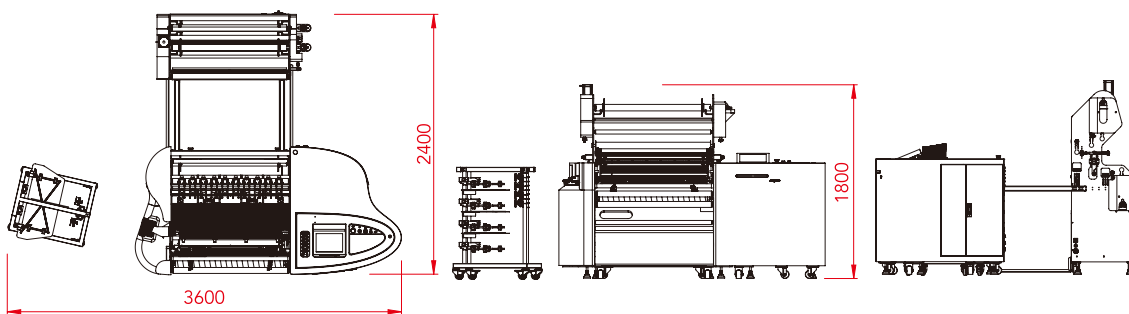


Speed: 70 ppm max.

Evergreen II 500 for Terry



Evergreen II 900 for Terry



Unit: mm



E-mail: info@ccitk.com

* CCI has a policy of continuous product development and may make changes in the specification or appearance of the equipment without notice.
 * Other product and company names mentioned herein may be trademarks or tradenames of their respective owners.



LSL32A1-EN_TS