

Jacquard Terry Sampling

evergreen II J for Terry

Jacquard terry sampling loom

Evergreen II J for Terry is capable of creating complex patterns and variable loop heights on terrycloth to suit varied requirement. Its integration concept provides the whole package of jacquard terry solution to solve the sampling difficulty in the textile industry. The machine can comply with major electronic jacquard machine and enable rapid time to market. It is specifically designed for almost 80% of towel sampling requirement to improve your work efficiency considerably. Just need one bobbin for each colour, you can create terrycloth sample with different patterns and borders. In addition, the integrated interface that combines jacquard and loom controllers is set to make the best management and interconnectivity of the machine. Combined with computer-controlled technology, Evergreen II J for Terry allows user to set variable loop heights via touch screen easily. The loop thread formation is performed effectively by reed motion control mechanism which is more simple and accurate than conventional weaving machine. The jacquard terry sampling loom is mostly suitable for use in educational & research institute and sampling workshop, which don't have their own production loom.



Electronic Jacquard Machine

Jacquard Driving Motor
(No cardan shaft is required)

1344 & 2688 Hooks

Pile Warp & Ground
Warp Beam

Reduced Height due to Compact
& Integrated Gantry Design

Integrated Interface

Loop Formation by
Beat-up Motion Control

Touch Screen and Windows
Embedded Controller

Single Side Rapier

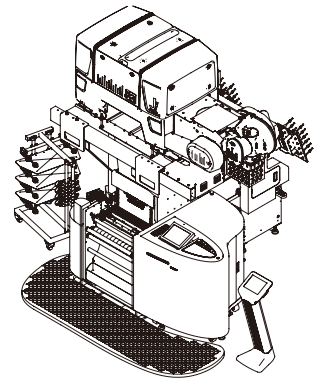
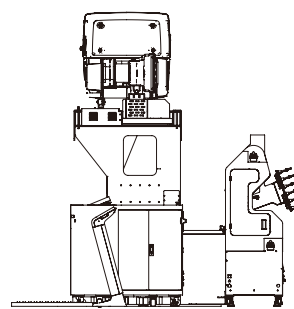
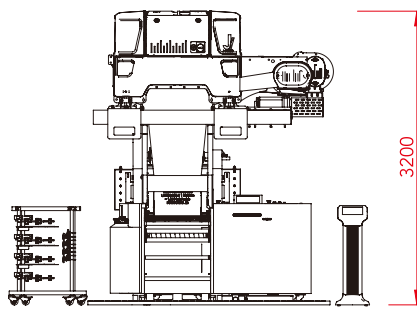
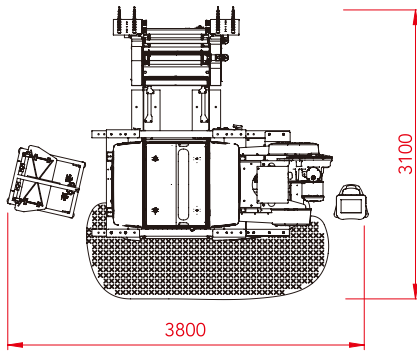
Computerized Loop Height Setting



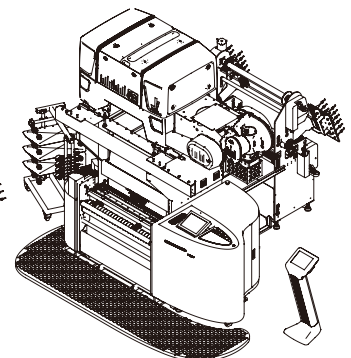
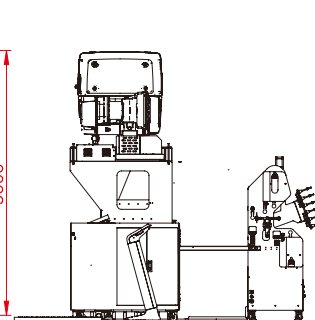
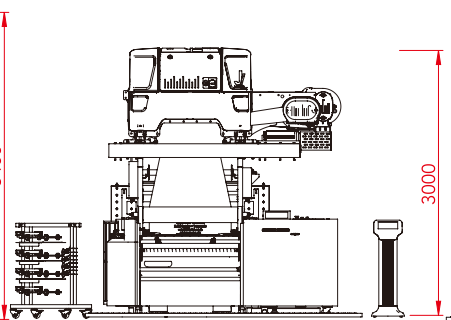
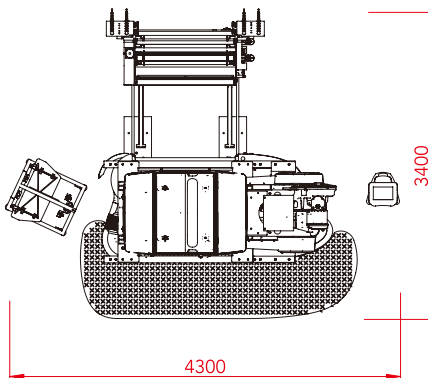
Options for 500 & 900 mm Width

Speed: 70 ppm max.

Evergreen II J500 for Terry (1344 hooks)



Evergreen II J900 for Terry (2688 hooks)



Unit: mm



CCI TECH INC.

www.ccitk.com

E-mail: info@ccitk.com



* CCI has a policy of continuous product development and may make changes in the specification or appearance of the equipment without notice.
* Other product and company names mentioned herein may be trademarks or tradenames of their respective owners.