

Flexi-Jacq Sampling

evergreen II for Flexi-Jacq

Flexi-Jacq sampling loom

Traditional jacquard machines are often constrained by existing harnesses when there is demand for new specifications. It is always difficult and time-consuming to change the harness to meet new requirements, which makes it impossible to finish jacquard fabric samples for customers in a short time with ease. To solve this problem, CCI provides an ultimate solution by integrating a compact and multi-hook jacquard machine onto our sampling loom, Evergreen II. The one-on-one harness arrangement with a unique **combi-cast process** and specially developed **casting-out software** are also included to make the solution complete. So warp density and repeat width can be easily adjusted without having to replace the entire harness, delivering extremely high flexibility. This means you can not only save on the cost of the sampling phase, but also get orders faster.



Electronic Compact and Multi Hooks Jacquard Machine

Jacquard Driving Motor (No cardan shaft is required)

Up to 5760 Hooks with One-on-one Harness

Reduced Height due to Compact & Integrated Gantry Design

Integrated Interface

Single Side Rapier

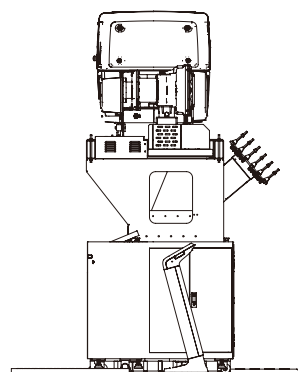
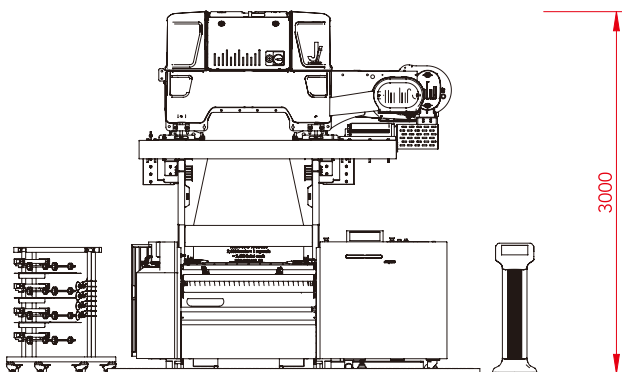
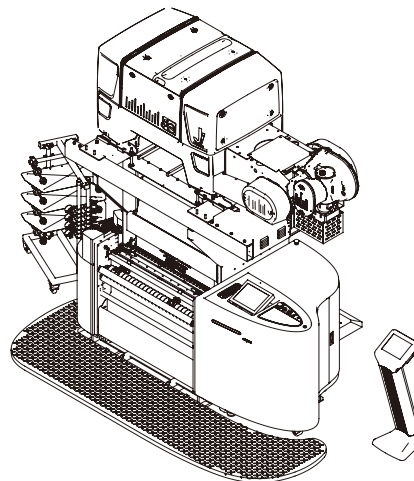
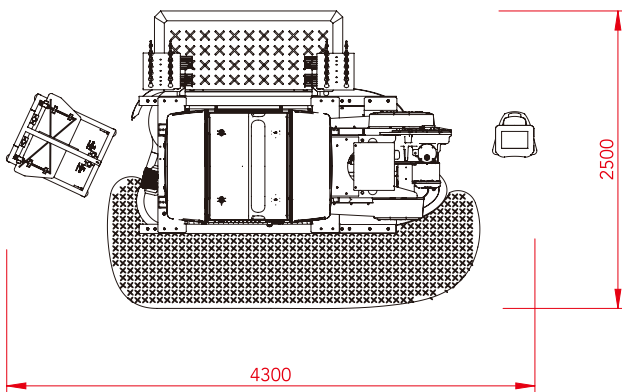
Touch Screen and Windows Embedded Controller



900 mm Width

Speed: 100 ppm max.

Evergreen II J900



Unit: mm



E-mail: info@ccitk.com



* CCI has a policy of continuous product development and may make changes in the specification or appearance of the equipment without notice.
 * Other product and company names mentioned herein may be trademarks or tradenames of their respective owners.