

Sampling in an Expanded Dimension

evergreen II 900

Sampling loom

mini Lutan 900

Single-end warping machine

The fabric in 900 mm width can be used to make sample of final product like shirt and bath towel. CCI presents sampling solution for expanded dimension to help giving the idea of real product to your customers effectively.

The Evergreen II 900 is designed specifically to meet sampling demand for wider width of 900 mm at lowest budget. The less space occupancy of the sampling loom is ideal for use in any space-limited environment such as office, design studio, and R&D center. The Mini Lutan 900 can produce warp beam in 900 mm width which can be used directly on Evergreen II. Its single-end warping design concept just requires one bobbin for each colour to do the job. Another important feature is CCI's unique Ring warping design, giving the most efficient warping method and best quality of warp sheet with even tension.

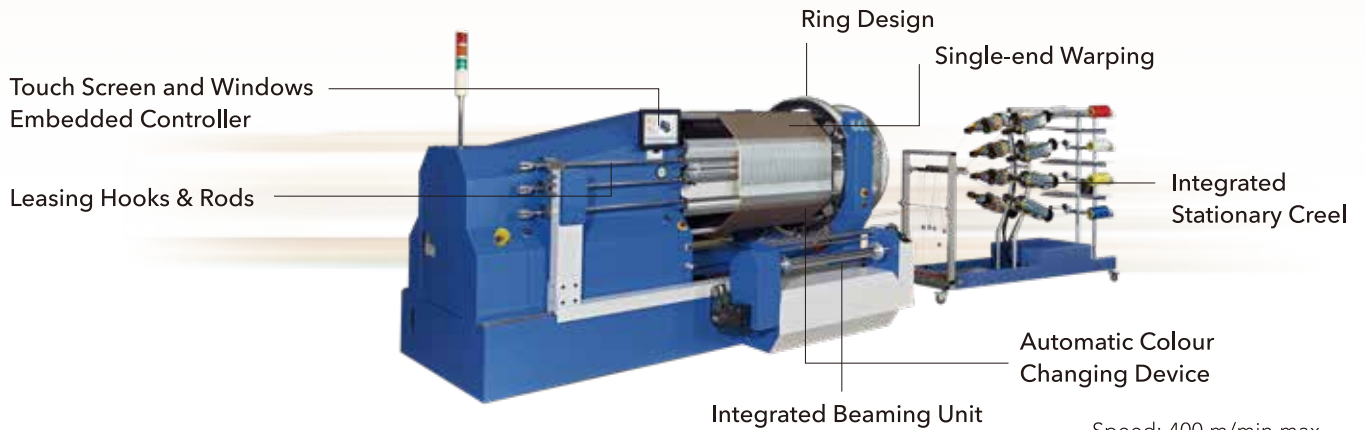
Evergreen II 900



Mini Lutan 900

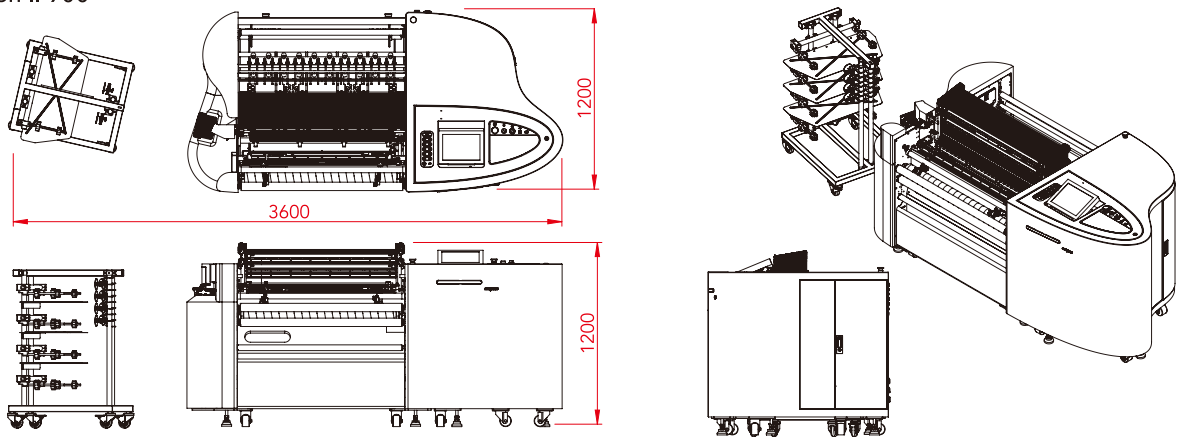


Speed: 100 ppm max.

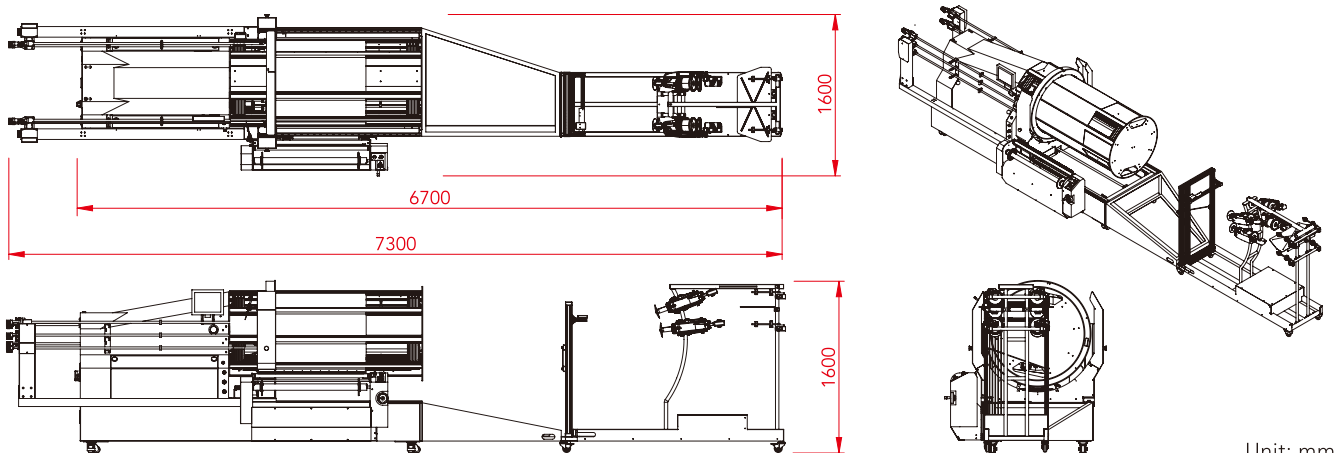


Speed: 400 m/min max.

Evergreen II 900



Mini Lutan 900



Unit: mm



E-mail: info@ccitk.com

* CCI has a policy of continuous product development and may make changes in the specification or appearance of the equipment without notice.
 * Other product and company names mentioned herein may be trademarks or tradenames of their respective owners.

